

LARGE LOOP ANTENNA – LWL

acc. to CISPR-15, EN55015 (LUMINAIRES)



Description

The LWL is a fully compliant, calibrated 2 m large loop antenna that complies with standard CISPR-15 / EN55015 section 7.2 and annex B. The calibrated frequency range is 9 kHz to 30 MHz. Each antenna is supplied with antenna factor data. It can be used with any EMC receiver or spectrum analyser. The performance of the loops is matched to the 'ideal' loop as shown in EN55015 fig B4 using the prescribed test set-up. The LWL is a complete 3-axis antenna with a switching unit to select each loop in turn. The loops are 2 metre in diameter with the lowest point 0.5 metres above ground and are fitted with specially designed current transducers in fully screened housings.

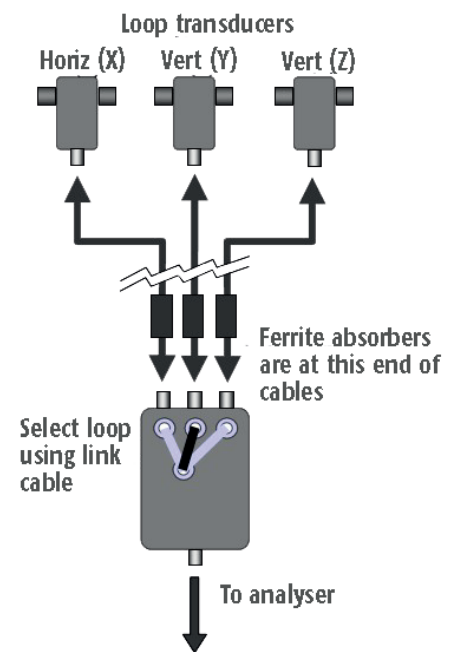
The main framework is wood with 25 mm diameter plastic tubing for the loops.

Key features

- Fully compliant with CISPR-15 / EN55015 (Luminaires)
- Complete 3-axis design
- Simple and fast installation and easy collapsible to sub units
- Calibrated
- Useable with any EMI receiver or spectrum analyzer

Technical data

Loops	Triple independent loops, 2m diameter
Sensors	Matched inductively coupled
Selector	Loop selection by patch panel switch
Output	50 Ω BNC
Calibration	Each axis tested and correction data included with antenna
Antenna factor	Matched to EN55015, figure B4
Power read	None
Dimensions (H x W x W)	2.6m x 2.1m x 2.1m



LWL-C optional available:

If on-site calibration is deemed necessary, the LWL-C allows the calibration loop to be used on all three axes and rotated within each as required by the standards.